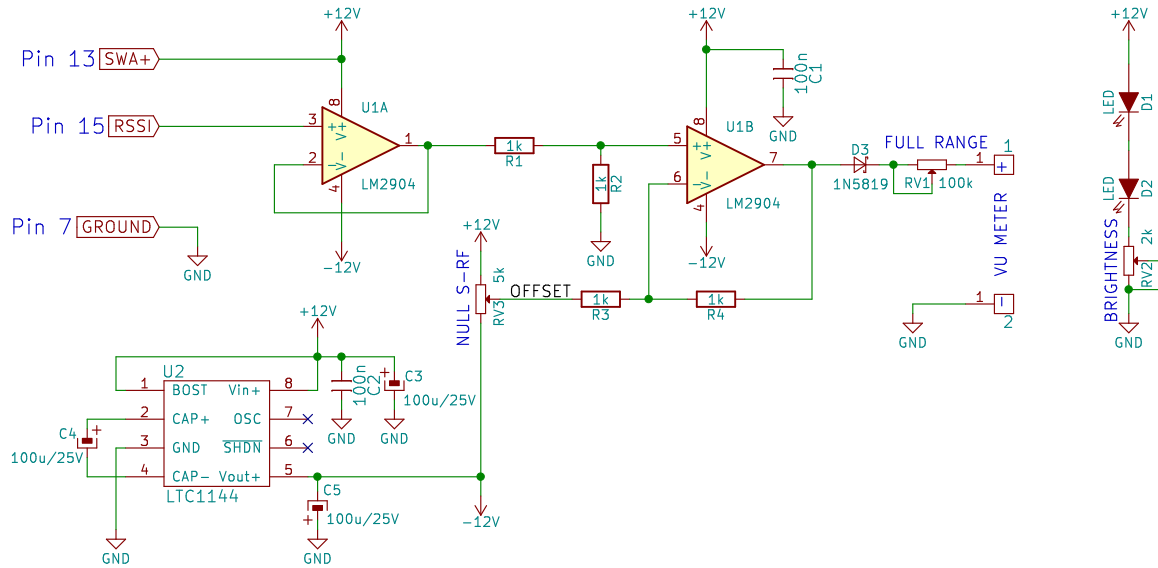


GM3x0 accessories  
connector pinout:



**Schematic description:**  
**MOTOROLA GMxxx RSSI voltage adptation for analog VU-meter**  
 Operates perfectly with low-cost chinese vu-meter, search for "external s meter" on Aliexpress for instance.

**SHIBBY**

Sheet: /  
 File: SCH2C17B\_AA.sch

**Title: MOTOROLA GMxxx VU-METER**

Size: A Date: 2018-02-08  
 KiCad E.D.A. kicad 4.0.7

Rev: AA  
 Id: 1/1